



1000Base-T Signal Transformer

JASN as a professional Signal transformer manufacturer, you can rest assured to buy 1000Base-T Signal Transformer from our factory and we will offer you the best after-sale service and timely delivery. G24C22SQ can support 4PPoE 60W PoE option.

Model:G24C22SQ

JASN is 1000Base-T Signal Transformer manufacturers and suppliers in China who can wholesale 1000Base-T Signal Transformer. We can provide professional service and better price for you. If you interested in 1000Base-T Signal Transformer products, please contact with us. We follow the quality of rest assured that the price of conscience, dedicated service.

Feature

Compliant with IEEE 802.3ab&802.3at standard.

Suitable for End-span PoE applications with 720mA current capability.

Comply with RoHS requirements.

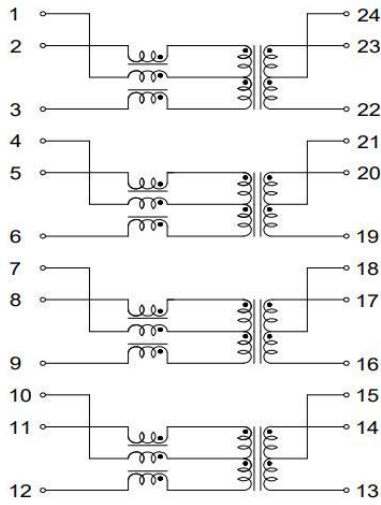
Operating temperature range: -40°C to +85°C.

Storage temperature range: -40°C to +125°C

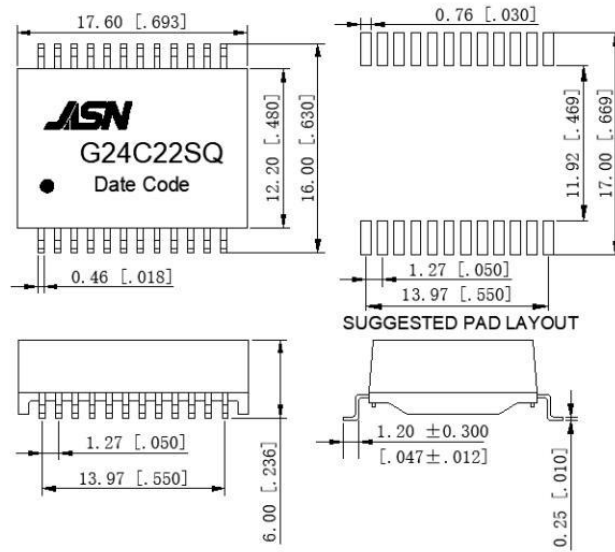
Electrical Specifications @ 25°C

OCL:	350uH Min. @100KHz/0.1V with 24mA DC Bias		
Hi-POT :	1500Vrms		
Turn Ratio:	1:1±3%		
LK:	0.5uH Max @100KHz/0.2V		
Cw/w	35pF Max @100KHz/0.2V		
D.C.R:	Secondary: 0.8 ohm Max		
	Imbalance: ±0.065 ohm Max		
Insertion Loss:	1-100MHz: -1.2dB Max		
Cross Talk :	30MHz	60MHz	100MHz
	-40dB Min	-35dB Min	-30dB Min
Return Loss:	1-30MHz	30-60MHz	60-80MHZ
	-16dB Min	10-20*log (f/60)dB Min	-10dB Min

Schematic



Mechanical



1. Unit: mm[inch]
2. Unless otherwise specified, all tolerances are ±0.25[.01]