



### 10/100Base-T Lan Magnetics

High quality 10/100Base-T Lan Magnetics is offered by China manufacturer JASN. The PN H16C81S provides different pin layout for your choice.

Model:H16C81S

You can rest assured to buy 10/100Base-T Lan Magnetics from JASN factory and we will offer you the best after-sale service and timely delivery.

### Feature

Compliant with IEEE 802.3u standard.

Comply with RoHS requirements.

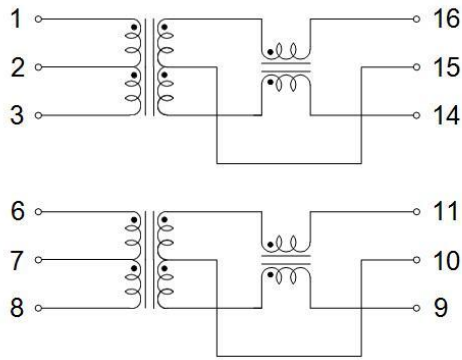
Operating temperature range: 0°C to +70°C.

Storage temperature range: -25°C to +125°C.

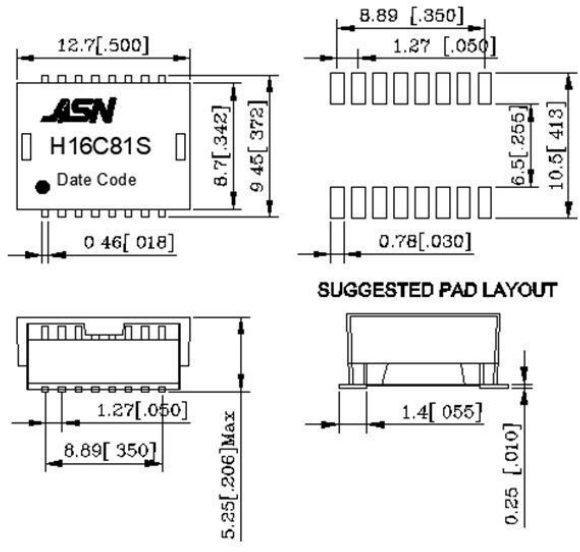
### Electrical Specifications @ 25°C

OCL:	350uH Min. @100KHz/0.1V with 8mA DC Bias				
Hi-POT :	1500VAC 1mA 2S				
Turn Ratio:	1:1±3%				
LK:	0.5uH Max @100KHz/0.2V				
Cw/w	35PF Max @100KHz/0.2V				
D.C.R:	1.2 ohm Max				
Insertion Loss:	1-100MHz: -1.0dB Max				
Cross Talk :	1-100MHz: -30dB Min				
Return Loss:	1-30MHz	40MHz	50MHz	60-80MHz	80-100MHz
	-18dB Min	-14.4dB Min	-13.1dB Min	-12dB Min	-10dB Min

Schematic



Mechanical



1. Unless otherwise specified, all tolerances are  $\pm 0.25[01]$
2. Coplanarity:  $0.1[004]$